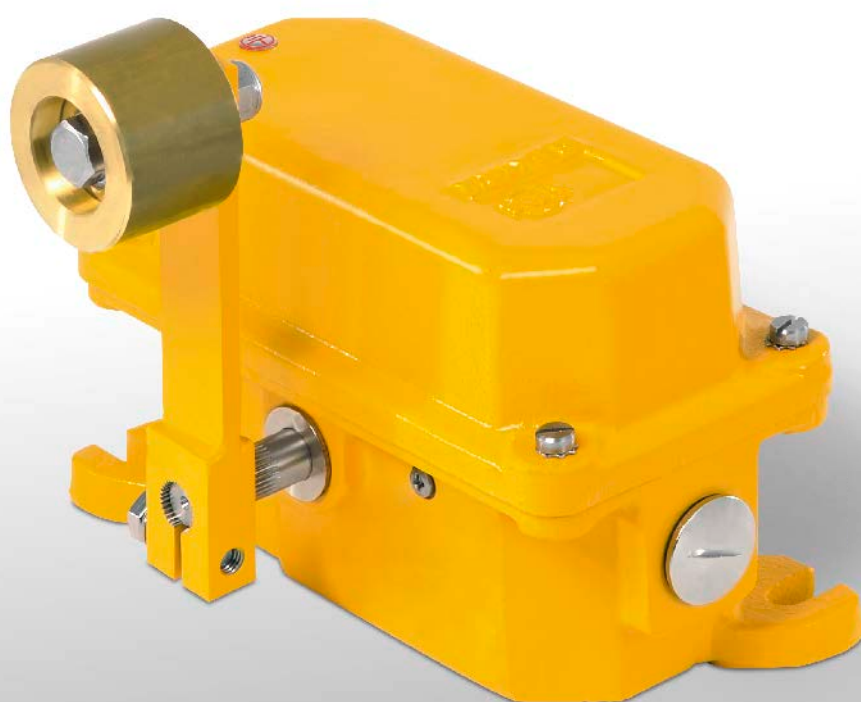


Limit Switch

REL



APPLICATION

The limit switch REL made of rigid cast iron has been designed for a maximum of safe operation under severe conditions to become installed in any bulk handling system (e.g. in open pit mines). All external parts are either of stainless steel or have been specially plated. The trip points – both preset at 10° – can be adjusted between 5° and 35°.

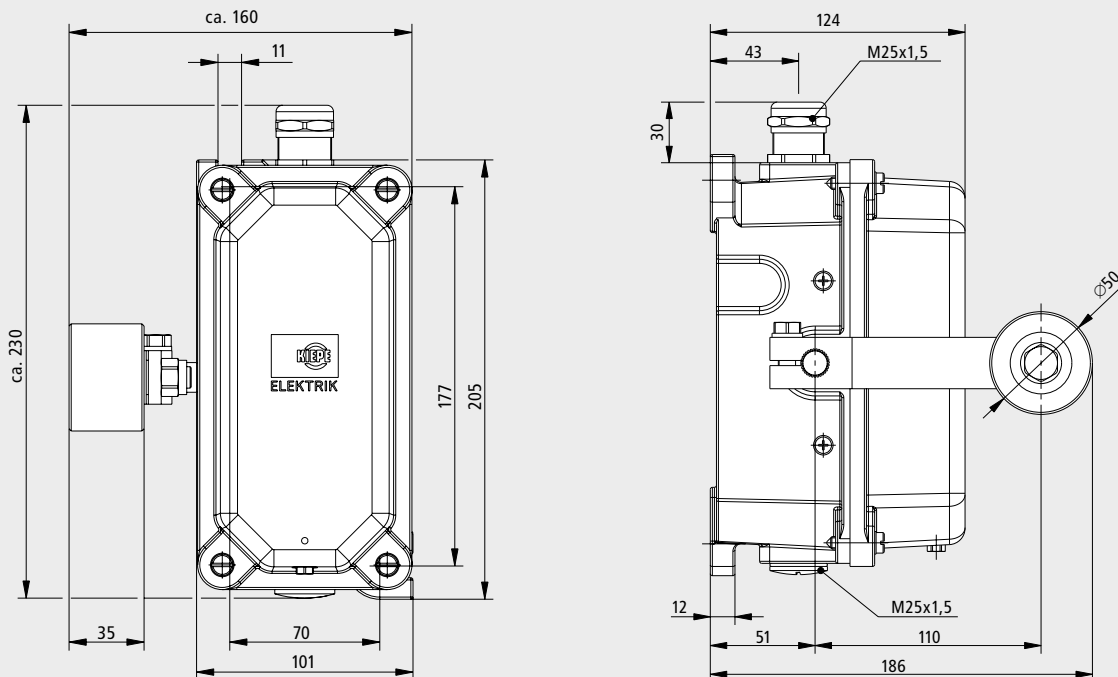
The roller lever with ball bearing is adjustable in steps of 12° on the shaft. Due to the toothing of shaft and roller lever (positive drive) and the positiv opening switching elements the REL meets the requirements for safety applications.

TECHNICAL DATA

| | |
|---------------------------------------|-----------------------------------------------------------------------------|
| Device complies with | EN 60947-5-1 EN 60204 |
| Suited for | Control units and systems in low voltage applications (PLC- or BUS-control) |
| Enclosure | Cast iron (GJL 200) |
| Actuating roller lever | Roller: CuZn39Pb3, lever: stainless steel |
| Finish | 2-component DD-tile enamel yellow, RAL 1004 |
| Fastening | 2 oblong holes for M10- bolts |
| Cable entry | 2 x M 25 x 1,5 |
| Protection rating | IP 67 according to EN 60529 |
| Rated insulation voltage U_i | AC 230 V, DC 230 V |
| Protective conductor connection | Within enclosure, M 4 |
| Admissible ambient temperature | -25 °C ... +70 °C |
| Switching elements | 2 Changeover contacts, positive opening, self-cleaning |
| Conventional thermal current I_{th} | 6 A |
| Utilization category I_e / U_e | AC-15: 230 V / 1,5 V DC-13: 24 V / 2 A |
| Connection cross section | max. 2,5 mm ² |
| Contact reliability | > 30.000 operations |
| Mechanical lifecycle | > 10.000 actuations |
| Exursion | 75° max. |
| Installation position | horizontal preferred |
| Ordering code | 92.056 979.606 |

Note: The devices may be used in control circuits only!

DIMENSIONS



Subject to change without notice.

Kiepe Electric GmbH

40599 Düsseldorf (Germany) · Kiepe-Platz 1
Phone +49(0)211 74 97-0 · Fax +49(0)211 74 97-420
info@kiepe-elektrik.com · www.kiepe-elektrik.com

605/04-05/17